

TT9

english



TECHNOALPIN®



TECHNOALPIN®



TT9

TAKING SNOW GUNS TO THE NEXT LEVEL.

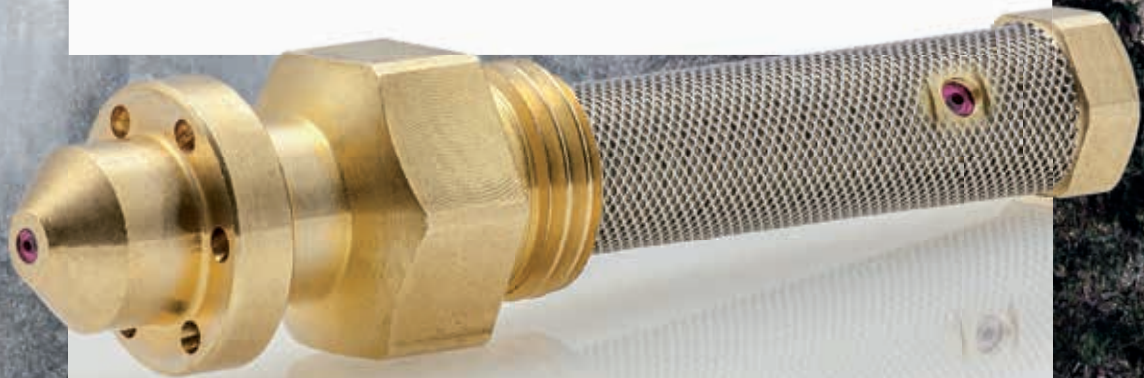
TechnoAlpin is once again revolutionizing snowmaking standards with its TT snow guns – the world's first real tower-mounted guns. To ensure optimum system efficiency, it is crucial to have the right snow gun in the right place at the right time. With the TT9 snow gun, which has a smaller turbine, TechnoAlpin remains true to its guiding principle, showcasing its technological prowess once again.

www.technoalpin.com



EXCELLENCE AT THE RIGHT HEIGHT.

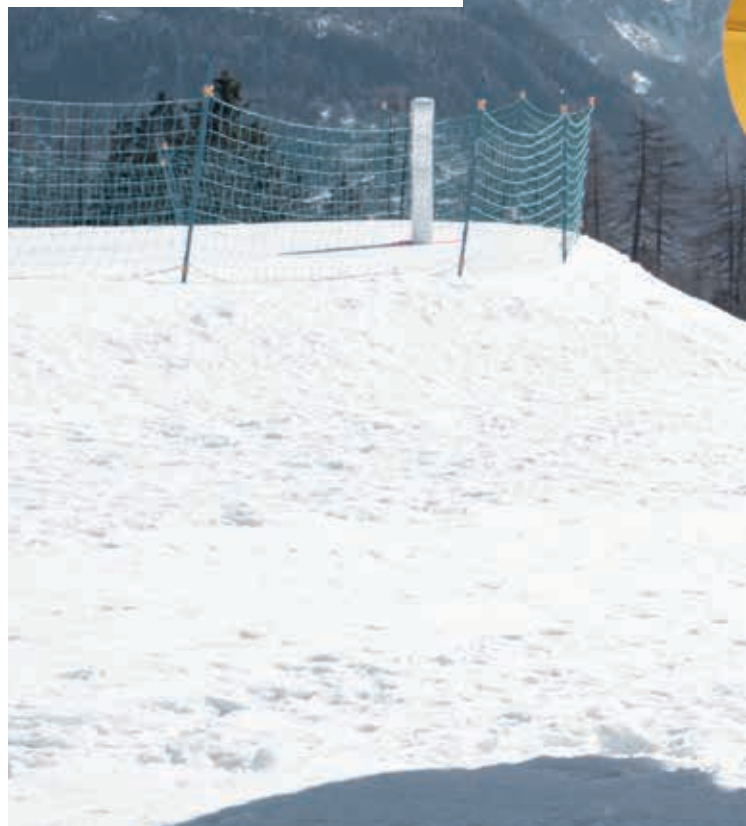
The TT9 proudly follows in the footsteps of its big brother, the TT10, and just like the latter it combines maximum efficiency with unprecedented user-friendliness. The nucleators with double ruby inserts and nozzles with ceramic insert guarantee top-quality snow for years to come. The TT9 also benefits from reduced noise emissions, optimal compressed air cooling and the optimized turbine. Together with the elevated position on the tower – the turbine core is positioned at a height of 3.5 meters – the performance is simply impressive, particularly in the limit temperature range.



TECHNOALPIN®

TT9





TT9

TECHNOALPIN®

TILTABLE TOWER FOR MAXIMUM SAFETY.

The TT9 turbine and tower form a single unit integrating all of the components. The tower can simply be tilted to allow ideal access to the nozzle valve, compressor inside the turbine and the turbine motor, among other things. Inspection and maintenance can be done safely from the ground, completely eliminating the need for a ladder. Installing and maintaining a tower machine has never been easier.



The illustration has symbolic character and contains options subject to additional charge.

TECHNOALPIN®

PERFECTLY TUNED.

The TT9 can be configured to individual specifications on request. This reduces costs for unused features. Optional extras available for the TT9 include a touch display, meteo station, motorized electric swinging function and height adjustment. This means that the right equipment is available for every installation site.



TT9





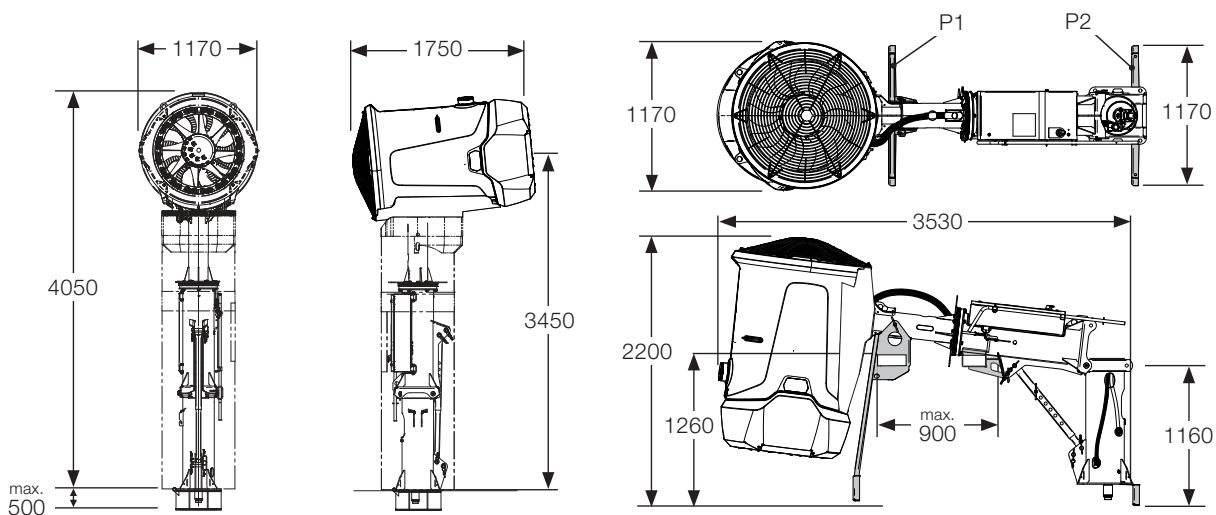
ALL-IN-ONE UNIT.

The TT family is the only tower snow gun on the market that is delivered pre-assembled, which considerably reduces on-site installation efforts. It weighs a mere 800 kg, simplifying and speeding up the installation process to an even greater extent. It can also be transported by helicopter.

TECHNOALPIN®

TT9

TECHNICAL DATA



Electrical properties

Nominal voltage	400 V
Nominal frequency	50 Hz
Nominal current	35 A*
Connection plug	5x63 A
Nominal power - POWER UNIT (turbine + compressor)	18.5 kW
Heating	1.0 kW

Weights

Snow gun - compressor	775 kg
Transport foot - tiltable column P1	35 kg
Transport foot - fixed column P2	10 kg

Dimensions

Snow gun length	1,750 mm
Snow gun width	1,170 mm
Snow gun height	4,050 mm

Miscellaneous

Operating temperature	-25 ÷ +2 °C
Rotational speed	1,500 rpm
Turbine inclination	45 deg.
Horizontal rotation	320 deg.
Swinging (automatic)	320 deg.

Water

Operating water pressure	8 ÷ 40 bar
Water filter	250 micron
Water-screw connection	2"

Nozzle configuration

Nucleators	6
Fixed Quadrijet nozzles	6
Switchable Quadrijet nozzles	12

*Measurements at nominal voltage at 1500 m above sea level and at a temperature of 0°C.

Data are subject to change depending on system type and/or country of installation.



WWW.TECHNOALPIN.COM