

american

 **energy**  
**efficiency**



**TL6**

**TECHNOALPIN®**  
snow experts

# TL6

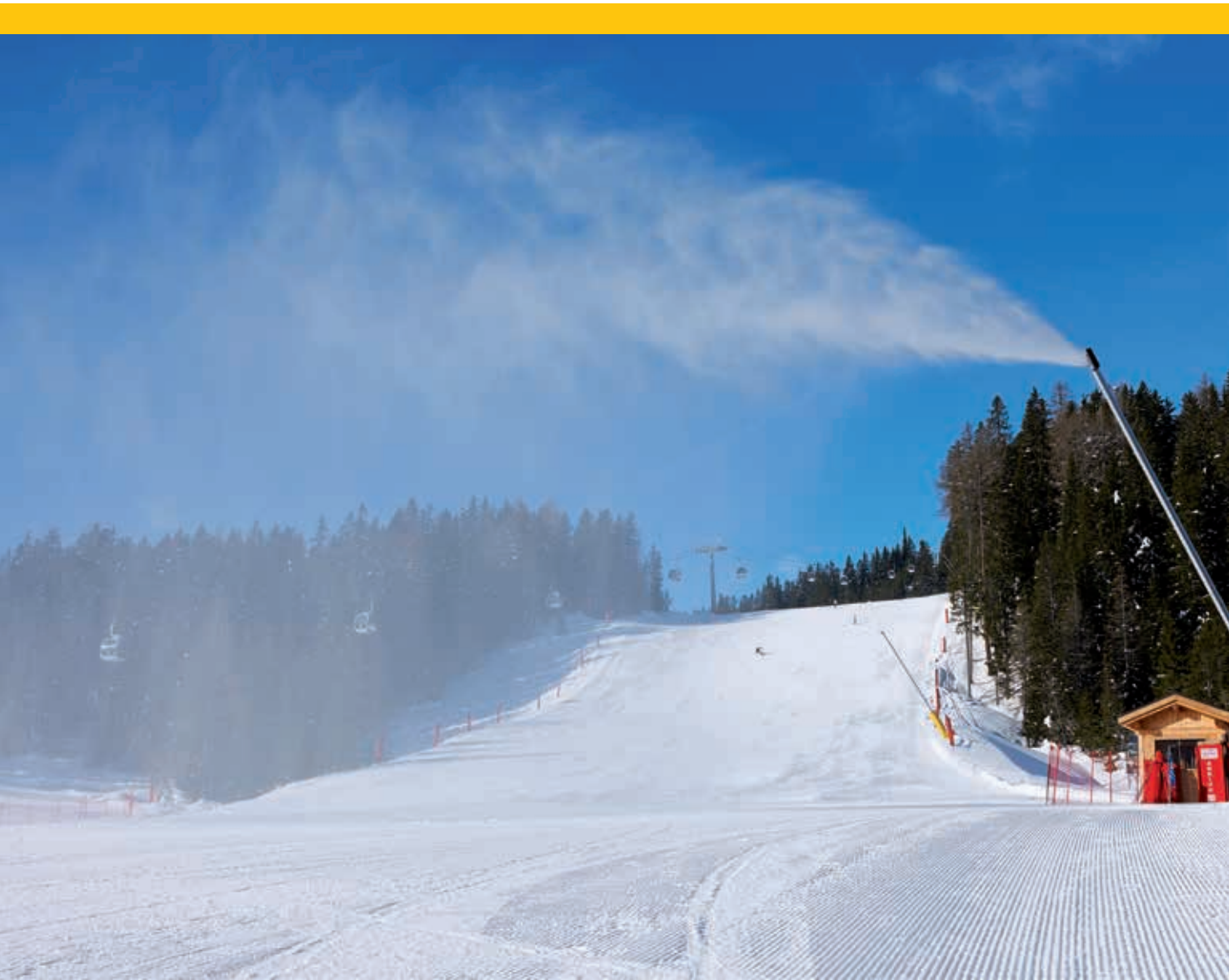
**Going further into the snow production optimization...** As a matter of philosophy, TechnoAlpin always strives to offer the most efficient snowmaking product to help ski resort operators to achieve their operational objectives. The TL6 of TechnoAlpin brings snow production standards to the next level: Higher energy efficiency, improved operational performances and advanced safety features are among some of the innovations boasted by this air & water tower gun. The new possibilities of the TL6 with 6 flow combinations make it the perfect snow production tool to suit ski resorts which can experience rapidly changing weather patterns and production conditions. The TL6 will deliver great performances both under marginal conditions and with colder temperatures as well.

**SNOW POWER  
& PERFORMANCE  
IN THE HEAD**





**Optimum Nucleation.** The design of the TL6 nucleators enables very low air consumption. Their internal design prevents the water from returning into the air stream in case of lack of air nucleation. In addition, the special design ensures a constant quality of the nucleation regardless of the water pressure. This will guarantee optimum and safe operation while contributing to constant snow quality.



***TL6***

**New motorized head.**



The smart design of the snow producer's head with a total of 4 rings enables to reach 6 different flow combinations. This is possible thanks to an innovative management of the nozzle combinations, using pistons and camshafts. This high tech feature makes it possible to increase both the production performance and the quality of the snow in marginal temperature ranges, as well as in colder temperatures. The opening and closing of the nozzles, and the control of the flow combinations are provided by a single 24V gear motor housed in the head of the TL6. The gear motor provides reliable and precise control of the flow combination in order to maintain a constant snow quality across the operating range of the snow producer. In addition to reliable operation, the nozzle control located in the head of the snow producer allows simplified shelter equipment, there's no longer the need for a complex control valve in the shelter, nor an aerial valve block at the bottom of the mast.



**Advanced nozzle technology.** For maximum operational performance, a small air bleed will expel the water from the nozzles when a ring closes or opens. This helps to reduce freezing risks of the head and also avoiding altering the quality of snow at the bottom of the snow producer. **Operational Safety.** This is the combination of the camshaft position, the piston, and the air flow that pushes the nozzles open. So in case there is an issue with the air supplied to the snow producer, the rings will stay closed. Therefore this prevents the stick from producing poor quality snow on the trail.



***TL6***

**Snow power & performance  
in the head.**



1

2



 **energy**  
**efficiency**

**TL6**

**Perfectly compatible components.**





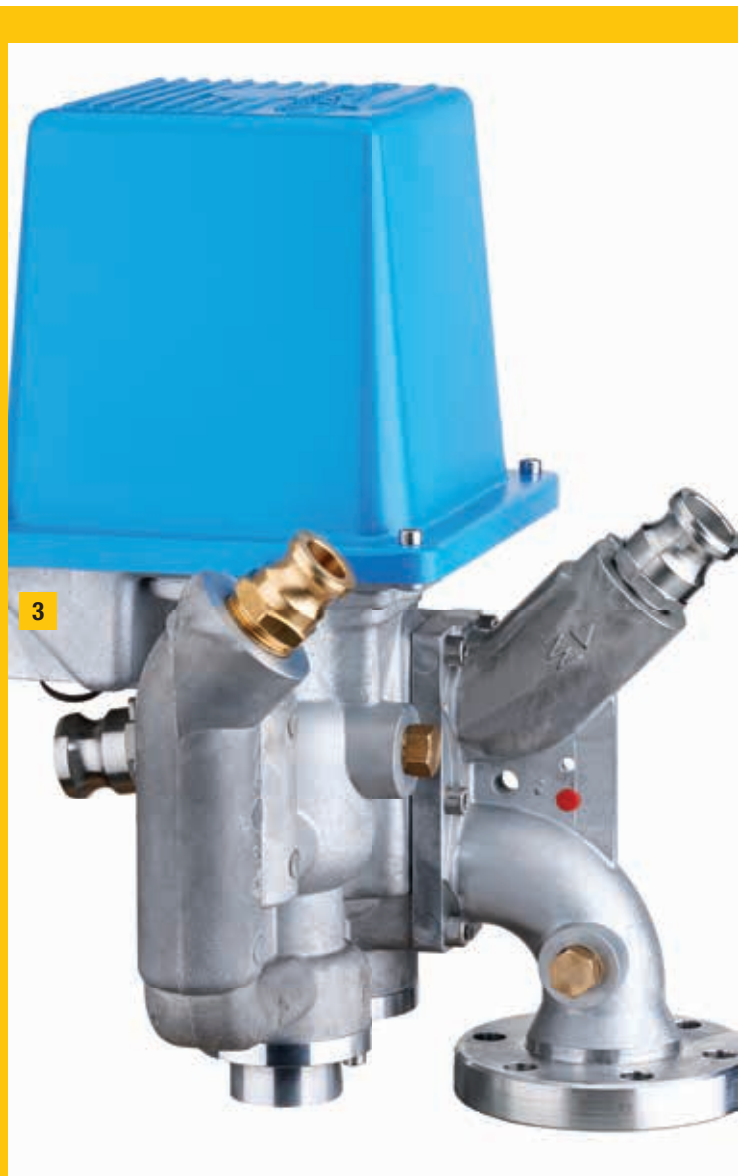
**1 High tech support bracket.** The TL6 comes with a completely new support. Made of high quality and sturdy components, the support of the TL6 is composed of a fixed column, a rotating column, and a new feature: the rotating gasket. **2 Rotating gasket.** The rotating gasket makes it possible to lower the mast of the snow producer without having to uncouple the air or water hoses. The design of the rotating gasket ensures an optimum mechanical protection of the hoses which are less exposed to UV or mechanical stress. **3 The tried and tested “wedge wire”-type nickel chromium steel water filter** guarantees maximum strength and simple cleaning. It does not have any seams, nor does it have the conventional mesh, since it is rolled from a triangular high-grade steel wire. **4 Hydraulic height adjustment.** The hydraulic jack enables lowering the mast with very little effort. This makes the maintenance operations of the head of the TL6 very easy to handle.



1



2

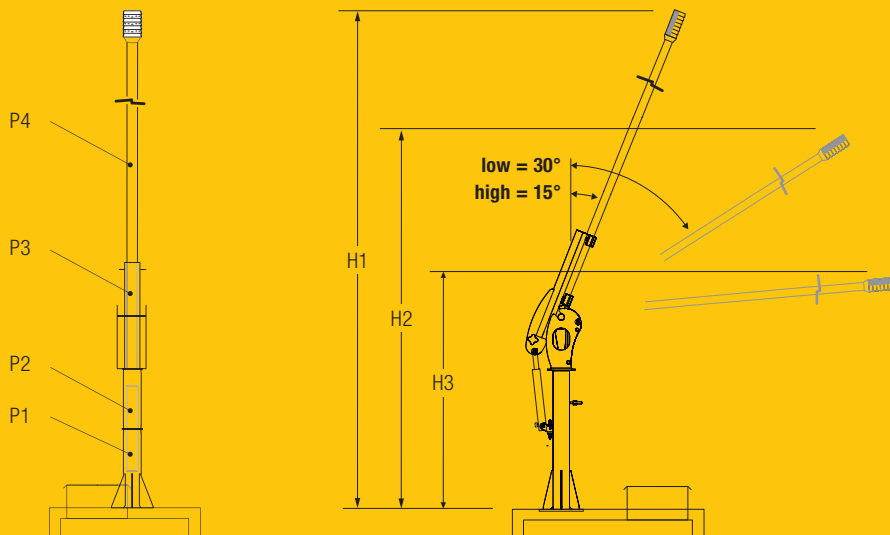


3

**1 Weather condition measure.** The TechnoAlpin weather station ensures a precise measurement of temperature and relative humidity (option for ATASSPlus). The station comes with its mast support and connection cable. The cable clamp acts as a cover plate preventing water seepage while also providing strain relief for the cables. **2 Illuminated snow.** When required, lighting can be provided by an energy-saving LED headlight (option). **3 Shelter valve.** The TL6 uses the YB shelter valve for the air and water supply. This in-house designed valve is packed full of innovations: Compact, low weight, 24 V electrical supply, built-in failsafe close mechanism and YSC-LV module for communication with the control software.

# TL6

## Facts and figures.



	TL6 - 20 ft	TL6 - 33 ft
Fixed column P1	81.6 lbs	81.6 lbs
Rotating column P2	61.7 lbs	61.7 lbs
Mast support P3	35.3 lbs	35.3 lbs
Mast with head P4	112.4 lbs	156.5 lbs
Highest operating position (15°) H1	25' - 9"	38' - 5"
Lowest operating position (30°) H2	23' - 9"	35' - 1"
Maintenance position H3	5' - 8"	5' - 6"
Head motor voltage	24 V	24 V
Head motor power	0.016 HP	0.016 HP
Head heating cartridges	0.067 HP	0.067 HP
Min. water pressure	232 psi	232 psi
Max. water pressure	1450 psi	1450 psi
Number of steps	6	6
Sound level front (20 m / 50 m)	70/63 dBA	69/62 dBA
Sound level side (20 m / 50 m)	66/59 dBA	65/58 dBA
Sound level rear (20 m / 50 m)	66/59 dBA	65/58 dBA



[WWW.TECHNOALPIN.COM](http://WWW.TECHNOALPIN.COM)