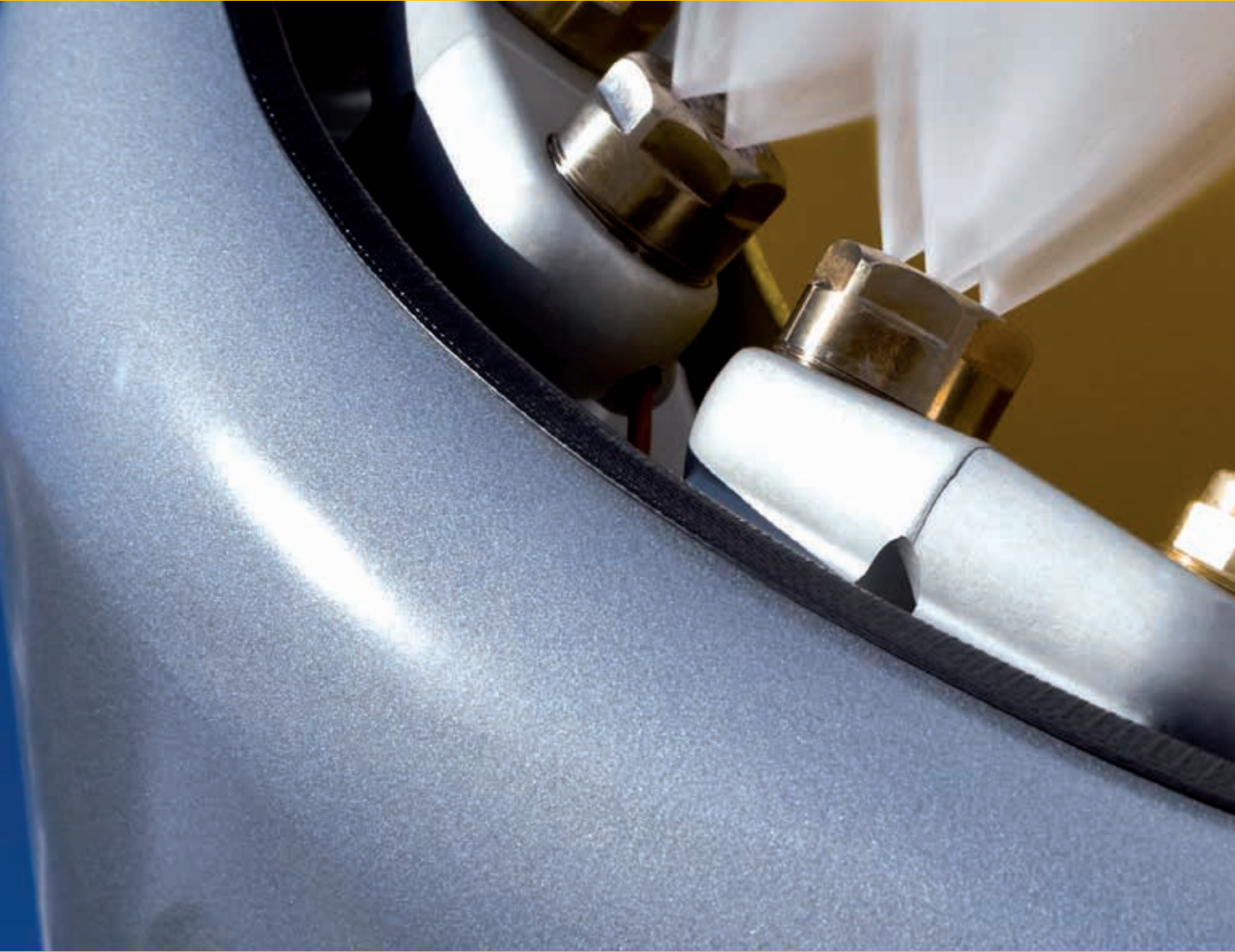




**MMS**  
MANUAL MOBILE SNOWGUN

**TECHNOALPIN®**



HAND-OPERATED YET HIGH-TECH.

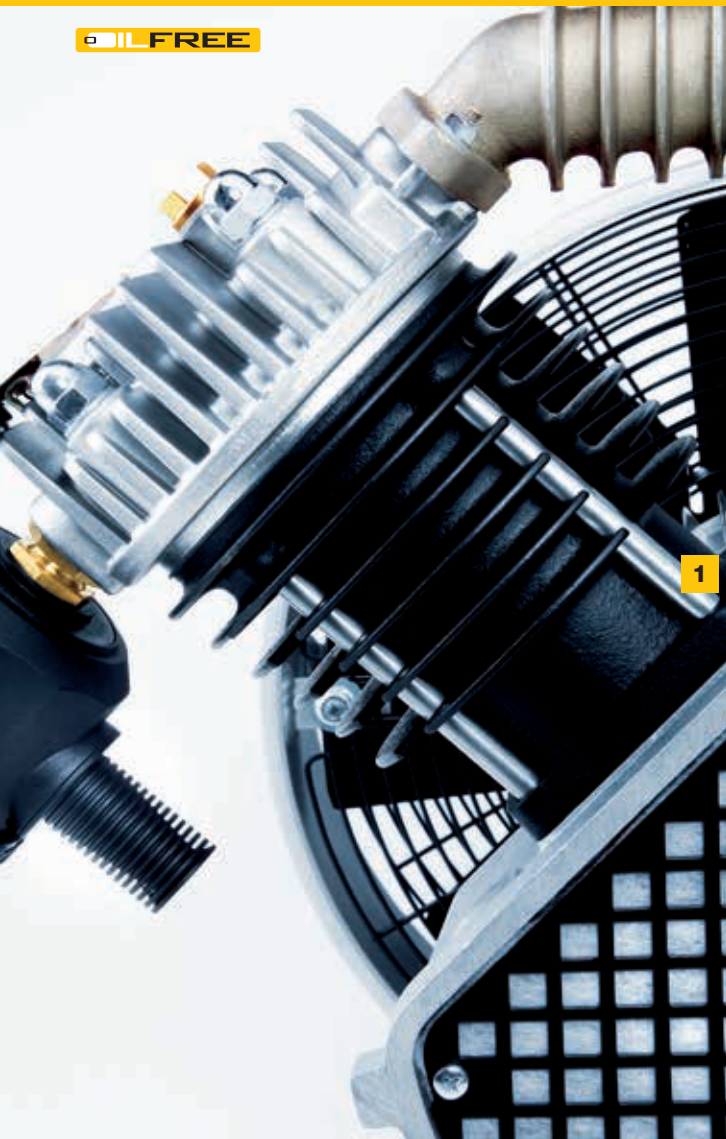
**TECHNOALPIN®**



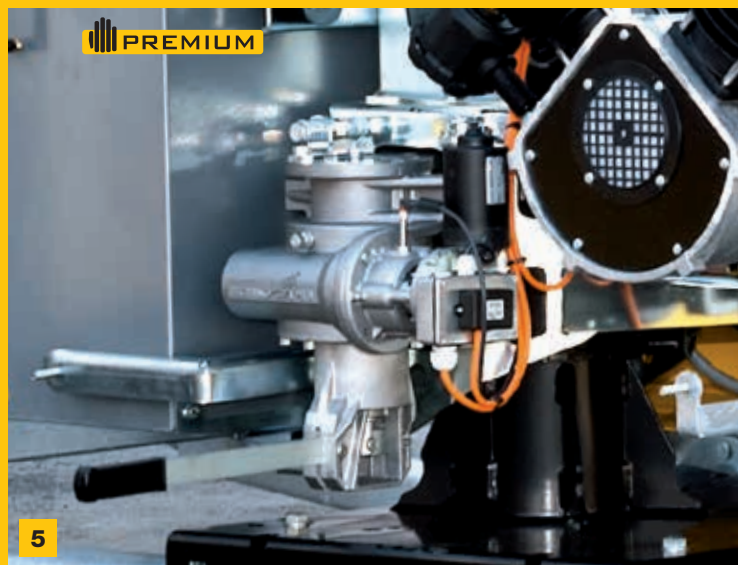
Nozzle ring. Optimum spray performance for years to come. The wear-resistant Quadrijet nozzles with ceramic insert are durable and require little maintenance – even when used with hard water – and guarantee optimum spray action.



**OILFREE**



**1** The oil-free aluminium compressor with integrated cooling circuit is to be thanked for the fact that not a single drop of oil will leach into the environment. The manual MMS can be positioned on any angle on the slope without problems because the low-maintenance oil-free compressor does not need levelling. **2** Valve technology & water filter. The tried and tested “wedge wire”-type nickel chromium steel water filter guarantees maximum strength and simple cleaning. It does not have any seams, nor does it have the conventional mesh, but it is rolled from a triangular high-grade steel wire. **3** Temperature transmitter. As standard, allowing data to be read on the main control PLC screen. Flashing light and halogen headlight are also part of the standard package. **4** Box valves. The nozzles are operated centrally by means of four box valves on the

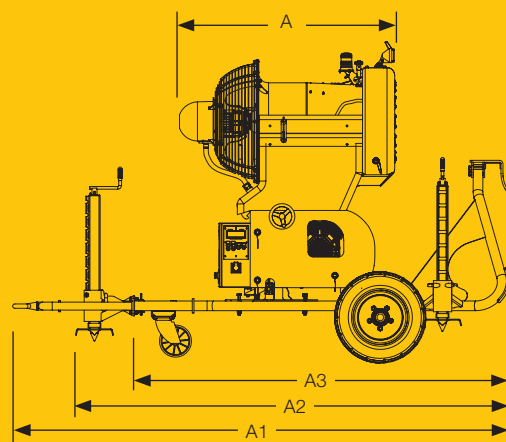
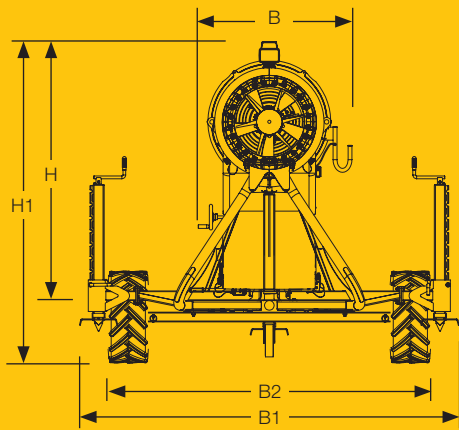


valve block. The valves allow different numbers of nozzles to be opened, thus providing 13 possible combinations. In this way, top-quality snow can always be generated, whatever the outdoor conditions. **5 Rotating mechanism & height adjustment.** The rotating mechanism allows horizontal rotation of 360° and an oscillation pivoting angle of up to 180°. The mechanism to adjust the height for the vertical tilt to 45° works by means of an hydraulic cylinder. **6 Centralized water unit.** The central water unit of the snow gun is fitted with an automatic drain system. Its position at the lowest point enables the snow gun to be rotated 360°. **7 Service power socket.** The MMS-type snow guns can be fitted with an optional power socket. This is located next to the mandatory EMERGENCY STOP button.





**1** Display (MMS Premium). Large menu-driven display with backlighting and operating interface. Display items include various status messages (turbine on, compressor on, etc.) and a range of different parameters, such as air temperature and any error messages. Different qualities of snow can be selected. The software then indicates the number of nozzles which should be opened in the current conditions. The start/stop temperature settings can be saved. **2** Keyboard (MMS Classic). All the snow guns operations are controlled with the push buttons. The display shows the ambient temperature reading.



## MMS - Classic

Gun length A	1,700 mm
Gun width B	1,200 mm
Gun height H	2,050 mm
Length max. A1	3,000 mm
Length without tow A2	2,700 mm
Length without front jack A3	2,350 mm
Width max. B1	2,350 mm
Width [wheels] B2	2,000 mm
Total-height H1	2,400 mm
Guns weight	575 kg
Undercarriage with jacks	165 kg
KIT for mobile carriage tow (GRPT0013)	85 kg
Nominal voltage	400 V
Nominal frequency	50 Hz
Connection plug	5x63 A
Full load current snow gun	33* A
Nominal power - largest motor (turbine)	12.5 kW
Compressor	4 kW
Heating	0.5 - 1.8 kW
RPM	3,000 U/min
Horizontal rotation	360 deg (°)
Automatic swing	-
Turbine inclination	45 deg (°)
Operating water pressure	8 - 40 bar
Water filter	250 micron
Nucleators	6
Fixed nozzles type Quadrijet	6
Operable nozzles type Quadrijet	12
Control unit - PLC	-
Connection water - Camlock	2 in (")

\* Measurements at 1,500 m above sea level

## MMS - Premium

Gun length A	1,700 mm
Gun width B	1,200 mm
Gun height H	2,050 mm
Length max. A1	3,000 mm
Length without tow A2	2,700 mm
Length without front jack A3	2,350 mm
Width max. B1	2,350 mm
Width [wheels] B2	2,000 mm
Total-height H1	2,400 mm
Guns weight	575 kg
Undercarriage with jacks	165 kg
KIT for mobile carriage tow (GRPT0013)	85 kg
Nominal voltage	400 V
Nominal frequency	50 Hz
Connection plug	5x63 A
Full load current snow gun	33* A
Nominal power - largest motor (turbine)	12.5 kW
Compressor	4 kW
Heating	0.5 - 1.8 kW
RPM	3,000 U/min
Horizontal rotation	360 deg (°)
Automatic swing	180 deg (°)
Turbine inclination	45 deg (°)
Operating water pressure	8 - 40 bar
Water filter	250 micron
Nucleators	6
Fixed nozzles type Quadrijet	6
Operable nozzles type Quadrijet	12
Control unit - PLC	1
Connection water - Camlock	2 in (")

\* Measurements at 1,500 m above sea level



[WWW.TECHNOALPIN.COM](http://WWW.TECHNOALPIN.COM)