

# TT9

english US



TECHNOALPIN®



**TECHNOALPIN®**



**TT9**

## TAKING SNOW GUNS TO THE NEXT LEVEL.

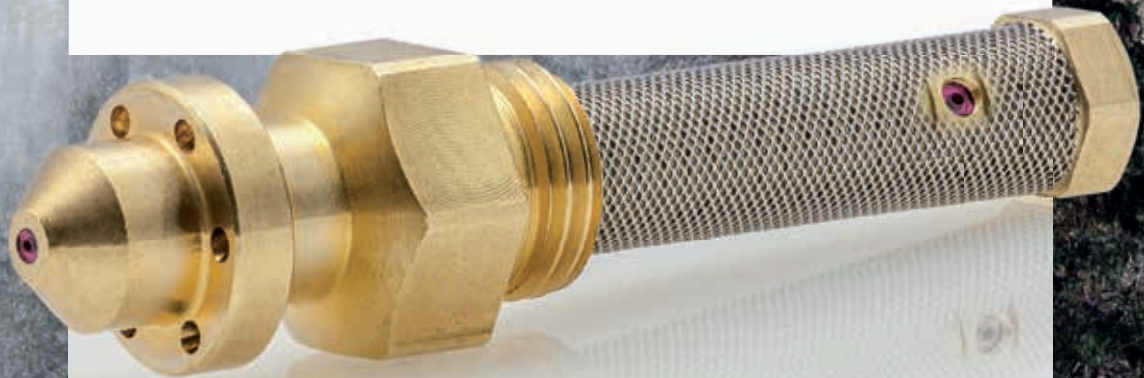
TechnoAlpin is once again revolutionizing snowmaking standards with its TT snow guns – the world's first real tower-mounted guns. To ensure optimum system efficiency, it is crucial to have the right snow gun in the right place at the right time. With the TT9 snow gun, which has a smaller turbine, TechnoAlpin remains true to its guiding principle, showcasing its technological prowess once again.

[www.technoalpin.com](http://www.technoalpin.com)



## EXCELLENCE AT THE RIGHT HEIGHT.

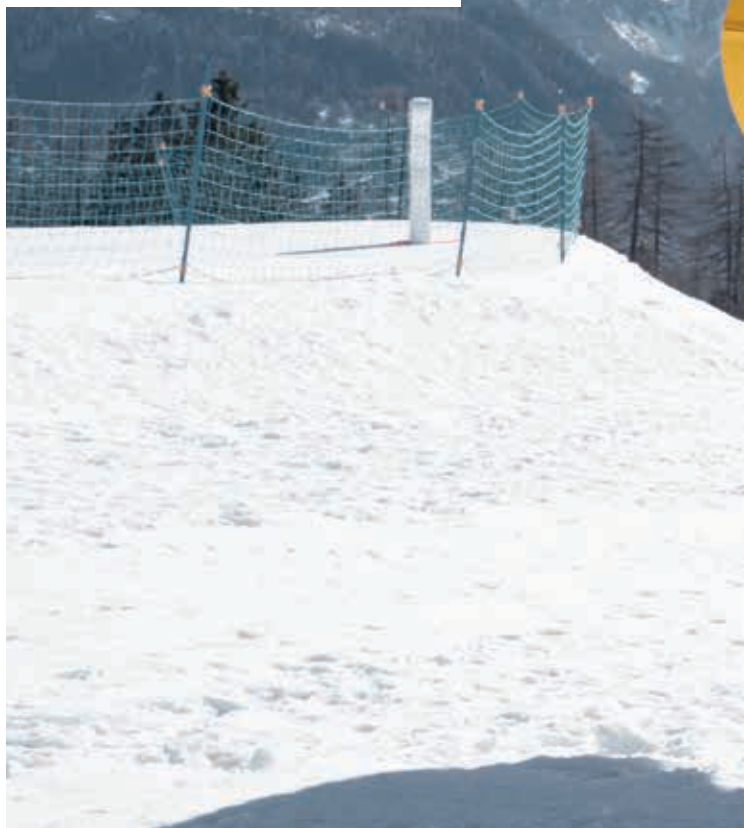
The TT9 proudly follows in the footsteps of its big brother, the TT10, and just like the latter it combines maximum efficiency with unprecedented user-friendliness. The nucleators with double ruby inserts and nozzles with ceramic insert guarantee top-quality snow for years to come. The TT9 also benefits from reduced noise emissions, optimal compressed air cooling and the optimized turbine. Together with the elevated position on the tower – the turbine core is positioned at a height of 3.5 meters – the performance is simply impressive, particularly in the limit temperature range.



**TECHNOALPIN®**

# TT9





**TT9**



**TECHNOALPIN®**

## TILTABLE TOWER FOR MAXIMUM SAFETY.

The TT9 turbine and tower form a single unit integrating all of the components. The tower can simply be tilted to allow ideal access to the nozzle valve, compressor inside the turbine and the turbine motor, among other things. Inspection and maintenance can be done safely from the ground, completely eliminating the need for a ladder. Installing and maintaining a tower machine has never been easier.



The illustration has symbolic character and contains options subject to additional charge.

**TECHNOALPIN®**

## PERFECTLY TUNED.

The TT9 can be configured to individual specifications on request. This reduces costs for unused features. Optional extras available for the TT9 include a touch display, meteo station, motorized electric swinging function and height adjustment. This means that the right equipment is available for every installation site.



**TT9**







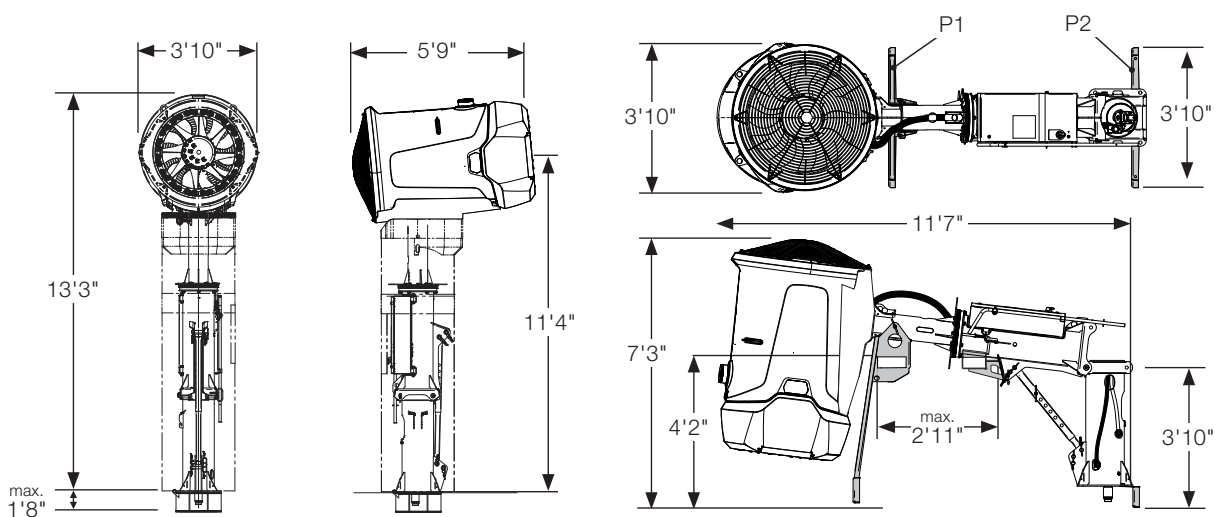
## ALL-IN-ONE UNIT.

The TT family is the only tower snow gun on the market that is delivered pre-assembled, which considerably reduces on-site installation efforts. It weighs a mere 800 kg, simplifying and speeding up the installation process to an even greater extent. It can also be transported by helicopter.

**TECHNOALPIN®**

# TT9

## TECHNICAL DATA



### Electrical characteristics

Rated voltage	480 V
Full load current (480V)	31 A*
Largest motor (480V)	28.8 A*
Nominal frequency	60 Hz
Connection plug	4x60 A
Heating	1.3 HP

### Weights

Snow producer - compressor	1708 lb 9 oz
Tiltable column transport element P1	77 lb 3 oz
Transport foot fixed column P2	22 lb 1 oz

### Dimensions

Snow gun length	5'9"
Snow gun width	3'10"
Snow gun height	13'3"

### Various

Operating temperature	-13 ÷ +36 °F
Number of revolutions	1,800 rpm
Turbine inclination	45 deg.
Horizontal rotation	320 deg.
Swing (automatic)	320 deg.

### Water

Operating water pressure	116 ÷ 580 psi
Water filter	250 micron
Water connection - screwing	2"

### Nozzle configuration

Nucleators	6
Fixed nozzles - quadrijet type	6
Controllable nozzles - quadrijet type	12

\*Data collected at 820 ft (250 m) above the sea level and 68 °F (20 °C).

Data are subject to change depending on system type and/or country of installation.





[WWW.TECHNOALPIN.COM](http://WWW.TECHNOALPIN.COM)