

TL6

english

TECHNOALPIN®



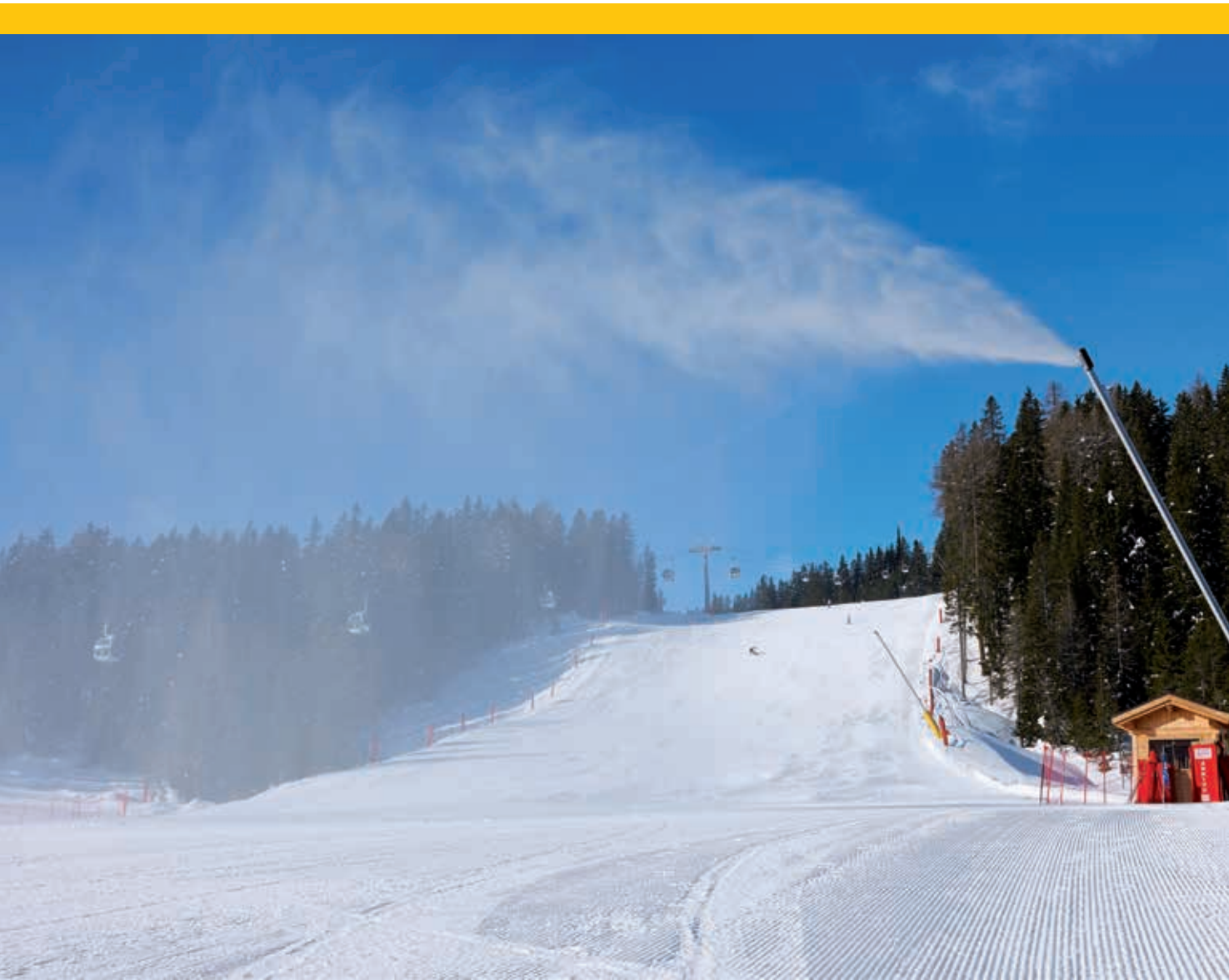


TL6

SNOW POWER & PERFORMANCE
IN THE HEAD

Going further into the snow production optimization... As a matter of philosophy, TechnoAlpin always strives to offer the most efficient snowmaking product to help ski resort operators achieving their operational objectives. The TL6 comes with 3 nozzle for each ring. With this lance, TechnoAlpin brings snow production standards to the next level: Higher energy efficiency, improved operational performances, advanced safety features are among some of the innovations boasted by this air & water tower gun. This lance offers new capacities with 6 flow combinations. It makes the TL6 the perfect snow production tool for ski resorts which sometimes experience rapidly changing weather patterns and production conditions. The TL6 will deliver greater performances both under marginal conditions and with colder temperatures as well.

Optimum Nucleation The nucleation of the TL6 is made using latest generation nucleators. The design of these nucleators enables to reach very low air consumption. Besides, their internal design prevents the water from returning into the air stream in case of lack of air for the nucleation. In addition, the special design of the nucleators ensures a constant quality of the nucleation regardless of the water pressure. This will guarantee optimum and safe operations while contributing to have a constant snow quality.



Advanced nozzle technology For maximum operational performances, a small air bleed will expel the water from the nozzles when a ring closes or opens. This helps reducing freezing risks of the head and also avoiding altering the quality of snow at the bottom of the snow producer. **Operational Safety** This is the combination of the camshaft position, the piston and the air flow that pushes the nozzles open. So in case of issue with the air supplied to the snow producer, the rings will stay closed. Therefore this prevents from producing a poor quality of snow on the trail.



Motorized head The smart design of the snow producer's head with a total of 4 rings enables to reach 6 different flow combinations. This high tech feature makes possible to increase both the production performance and quality of the snow on the marginal temperature ranges, as well as with colder temperatures. The opening, closing of the nozzles and the control of the flow combinations are provided by a single 24V gear motor housed in the head of the lance. Thanks to the fine-tuning the lance provides a constant snow quality, in addition the nozzle control located in the head of the snow producer allows having simplified shelter equipment, as there's no longer the need for a complex control valve in the shelter, nor an aerial valve block at the bottom of the mast.

TECHNOALPIN®



3 nozzles per ring To offer tools that are always more adapted to snow production constraints, the TL6 comes with 3 nozzles for each ring. The nozzles feature ceramic inserts to provide increased durability and additional resistance, especially for aggressive water. This ensures that the mechanical integrity of the nozzles is preserved and that optimum snow quality is maintained. In addition, the 3 nozzles for each ring further improves the lance's performance for production in marginal temperatures, both in terms of snow quantity and snow quality. Finally, these 3 nozzles make the lance also more efficient when the operating pressures in the pipes are low.

TL6



1 Weather condition measure The TechnoAlpin weather station ensures a precise measurement of temperature and relative humidity (option when using control software). The station comes with its mast support and connection cable. The cable clamp acts as a cover plate preventing water seepage while also providing strain relief for the cables. **2 Illuminated snow** When required, lighting can be provided by an energy-saving LED headlight (option). **3 Shelter valve** The TL6 uses the YB shelter valve for the air and water supply. This in-house designed valve is packed full of innovations: Compact, low weight, 24 V electrical supply, built-in failsafe close mechanism and YSC-LV module for communication with the control software.



TL6

HIGH QUALITY COMPONENTS



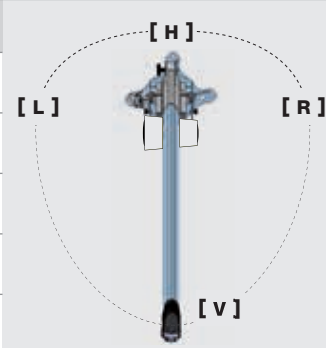
1 High tech support bracket The lance comes with a completely new support. Made of high quality and sturdy components, the support of the lance is composed of a fixe column, a rotating column and a new feature: the rotating gasket. 2 Rotating gasket The rotating gasket makes possible to lower the mast of the snow producer without having to uncouple the air or water hoses. The design of the rotating gasket ensures an optimum mechanical protection of the hoses which are less exposed to UV or mechanical stress. 3 Filter unit (optional) For even safer operations and improved snow quality, the rotating gasket was designed also to receive as an option a water filter. The filter comes between the hose and the water inlet of the rotating gasket. 4 Hydraulic height adjustment The hydraulic jack enables to lower the mast with very little effort. This makes the maintenance operations of the head of the lance very easy to handle.



TL6

SNOW POWER & PERFORMANCE IN THE HEAD

Sound pressure level L_A - TL6				
Distance [m]	Front [V] [dB]	Rear [H] [dB]	Left [L] [dB]	Right [R] [dB]
20	65	55	63	60
25	63	53	61	58
50	56	46	54	51
100	49	39	47	44
200	41	31	39	36



Test at full load and water discharge

Test report: **28-299-3**

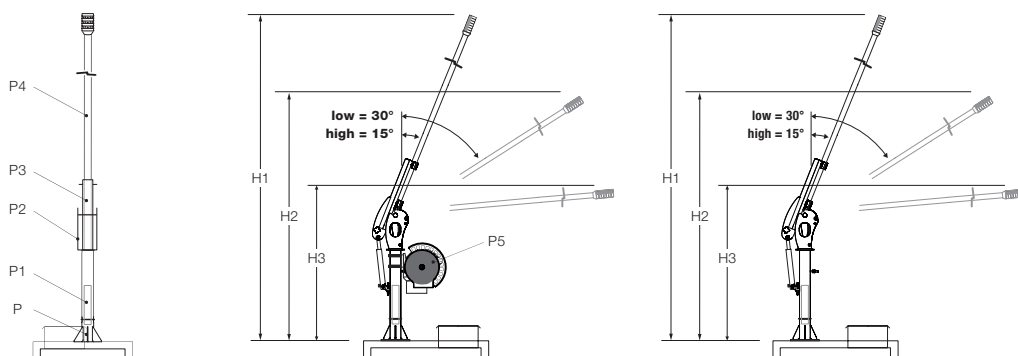


STAATLICH BEFUGTER UND BEEIDETER ZIVILINGENIEUR FÜR BAUWESEN

FIBY ZT - GmbH

A 6020 INNSBRUCK RESSLSTRASSE 39 TEL.0512 39 21 30 FAX 90 82 85

FACTS AND FIGURES



TL6 - 10 m (6 m)

with compressor

with centralized air

Weights

Plug-in base P	20 kg	20 kg
Fixed upright P1	27 kg	27 kg
Rotating upright P2	31 kg	31 kg
Lance pipe support P3	19 kg	19 kg
Rotating gasket for water and air	8 kg	8 kg
Lance pipe + head P4	71 (*51) kg	71 (*51) kg
Compressor, complete P5	90 kg	-

Dimensional data

Operating position, top, 15° H1	10,745 (*7,600) mm	10,745 (*7,600) mm
Operating position, bottom, 30° H2	9,835 (*6,965) mm	9,835 (*6,965) mm
Servicing position H3	2,010 (*1,895) mm	2,010 (*1,895) mm

Electrical characteristics

Head motor voltage	24 V	24 V
Head motor power	12 W	12 W
Head heating cartridges	50 W	50 W
Compressor voltage	400 V	-
Nominal frequency	50 Hz	-
Compressor power	4,0 kW	-
Connection plug (compressor)	5x16 A	-

Water

Water pressure [min.]	20 bar	20 bar
Water pressure [max.]	60 bar	60 bar

Nozzle configuration

Nucleators	3	3
Fixed nozzles	3	3
Selectable nozzles	9	9
Number of steps	6	6

* with 6 m lance pipe



WWW.TECHNOALPIN.COM